

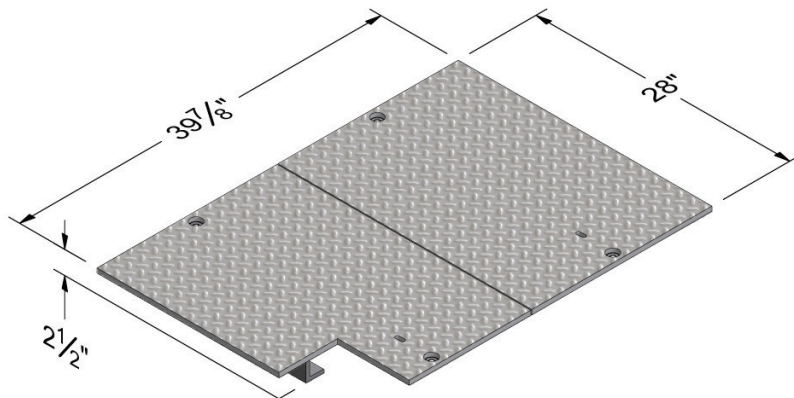
B2436

CHRISTY®

COVER

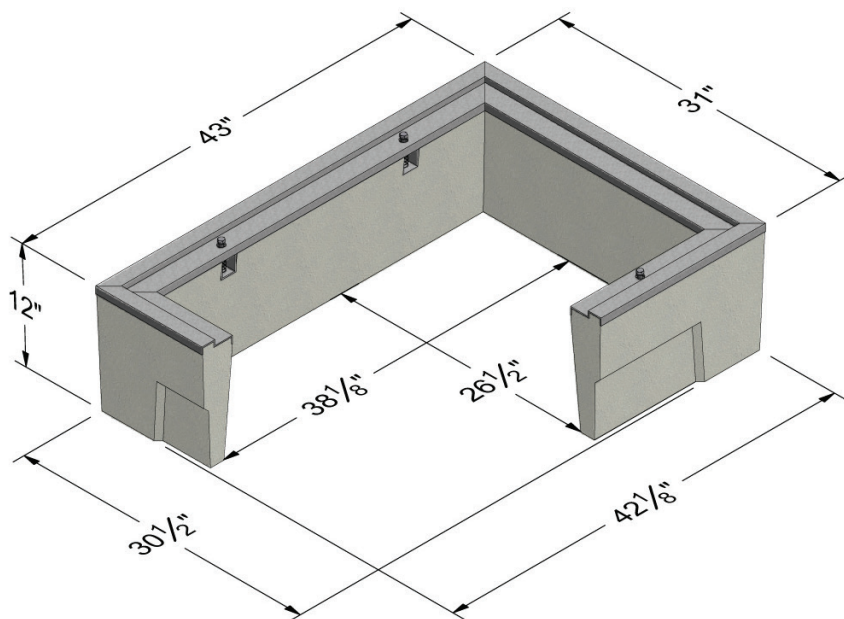
Style:	Flush (2 Piece)
Material:	Steel Checker Plate
Model:	28" x 40" (2 Piece Lid)
Weight:	218 lbs
Options:	Special Markings
Surface:	Skid Resistant & Marked*
Coefficient of Friction:	>0.6 ASTM 1028
Performance:	H20, AASHTO M309

Cover comes standard with permanent markings for manufacturer, load rating, model size and manufacturing location.



BODY

Material:	Reinforced Concrete with Steel Frame
Model:	31" x 43"
Weight:	378 lbs
Wall Type:	Straight
Mouseholes:	0
Performance:	H20, AASHTO M309



COVER OPTIONS

Bolt Down Locking
Galvanizing
EMS Marker

LOAD RATING / NOTES



Actual load rating is determined by the box and cover combination.

WARNING: Cancer and Reproductive Harm - www.P65Warnings.ca.gov

All information contained on this sheet is current at the time of publication.
Oldcastle reserves the right to discontinue or update product information without notice.

Revision 12/06/18
© 2018 Oldcastle Infrastructure