

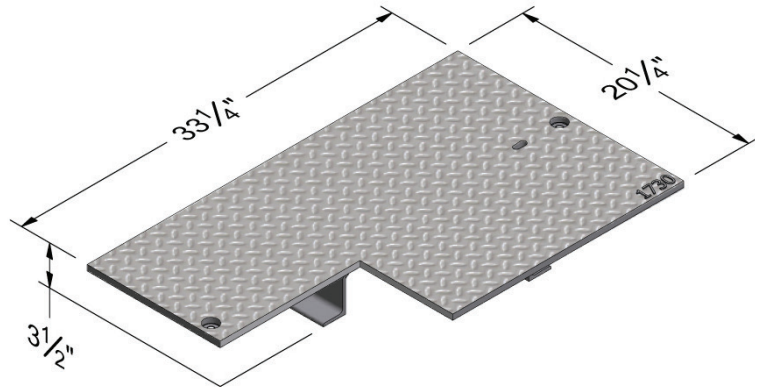
B1730

CHRISTY®

COVER

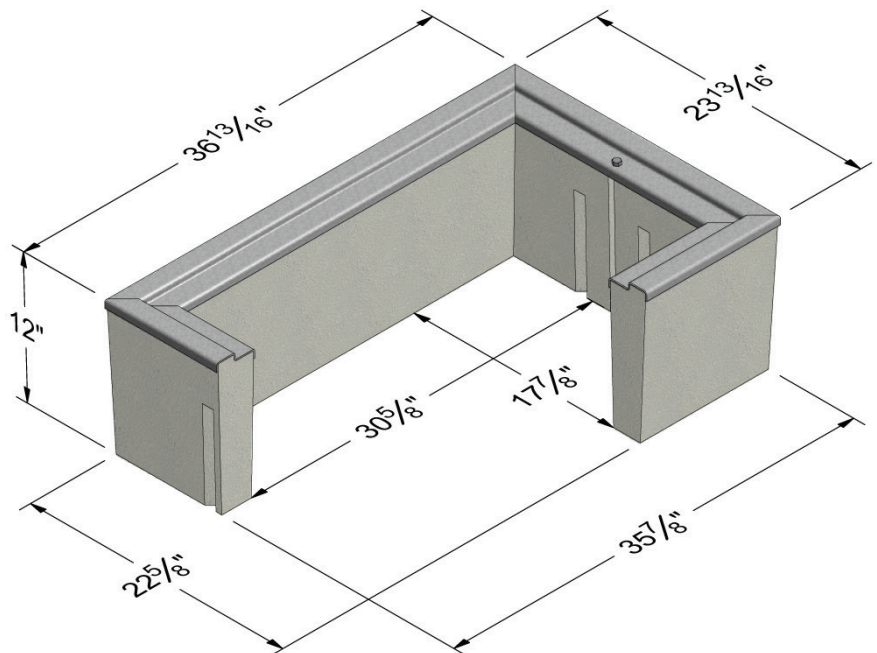
Style:	Flush
Material:	Steel Checker Plate
Model:	20" x 33"
Weight:	111 lbs
Options:	Special Markings
Surface:	Skid Resistant & Marked*
Coefficient of Friction:	>0.6 ASTM 1028
Performance:	H20, AASHTO M309

Cover comes standard with permanent markings for manufacturer, load rating, model size and manufacturing location.



BODY

Material:	Reinforced Concrete with Steel Frame
Model:	24" x 37"
Weight:	268 lbs
Wall Type:	Straight
Mouseholes:	0
Performance:	H20, AASHTO M309



COVER OPTIONS

Reader Door
Bolt Down Locking
Galvanizing
EMS Marker

LOAD RATING / NOTES

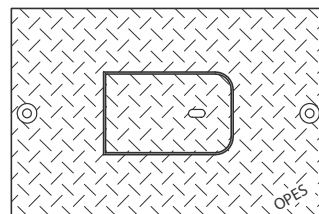


TRAFFIC RATED
AASHTO H20

Actual load rating is determined by the box and cover combination.

WARNING: Cancer and Reproductive Harm - www.P65Warnings.ca.gov

All information contained on this sheet is current at the time of publication.
Oldcastle reserves the right to discontinue or update product information without notice.



Reader Door Detail

Revision 12/06/18

© 2018 Oldcastle Infrastructure