

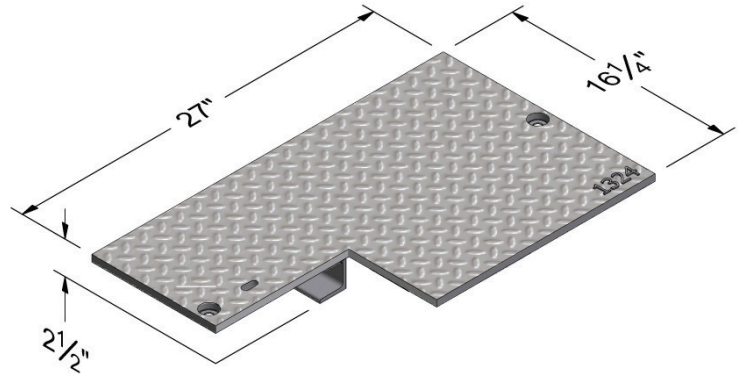
# B1324

**CHRISTY®**

## COVER

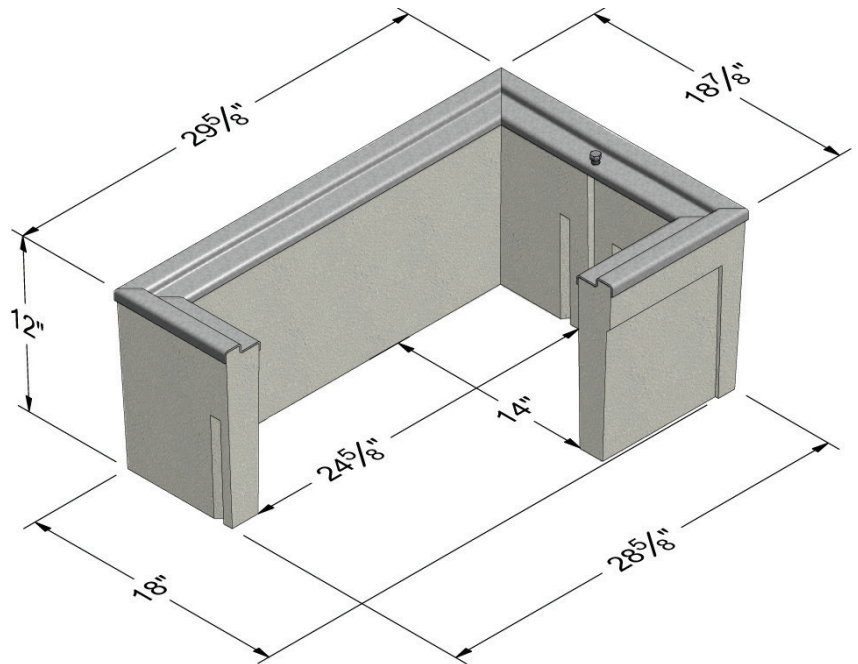
Style:	Flush
Material:	Steel Checker Plate
Model:	16" x 27"
Weight:	70 lbs
Options:	Special Markings
Surface:	Skid Resistant & Marked*
Coefficient of Friction:	>0.6 ASTM 1028
Performance:	H20, AASHTO M309

Cover comes standard with permanent markings for manufacturer, load rating, model size and manufacturing location.



## BODY

Material:	Reinforced Concrete with Steel Frame
Model:	19" x 30"
Weight:	166 lbs
Wall Type:	Straight
Mouseholes:	0
Performance:	H20, AASHTO M309



## COVER OPTIONS

Reader Door  
Bolt Down Locking  
Galvanizing  
EMS Marker

## LOAD RATING / NOTES

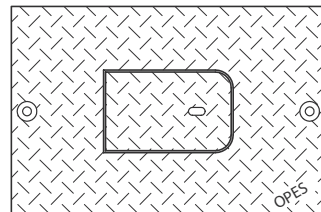


TRAFFIC RATED  
AASHTO H20

Actual load rating is determined by the box and cover combination.

**WARNING:** Cancer and Reproductive Harm - [www.P65Warnings.ca.gov](http://www.P65Warnings.ca.gov)

All information contained on this sheet is current at the time of publication.  
Oldcastle reserves the right to discontinue or update product information without notice.



Reader Door Detail

Revision 12/06/18

© 2018 Oldcastle Infrastructure