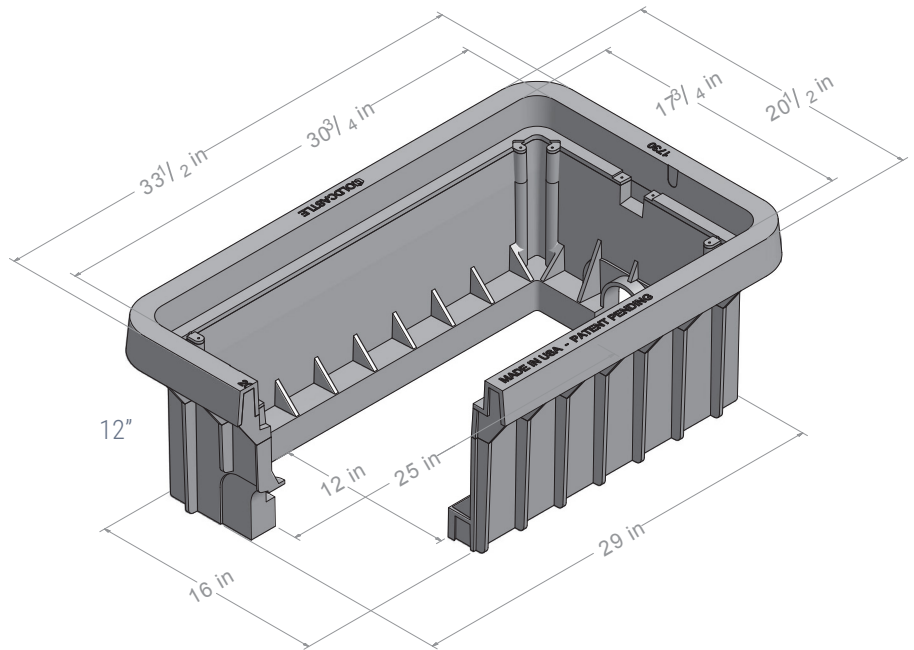


1730 BCF

CARSON® Heavywall

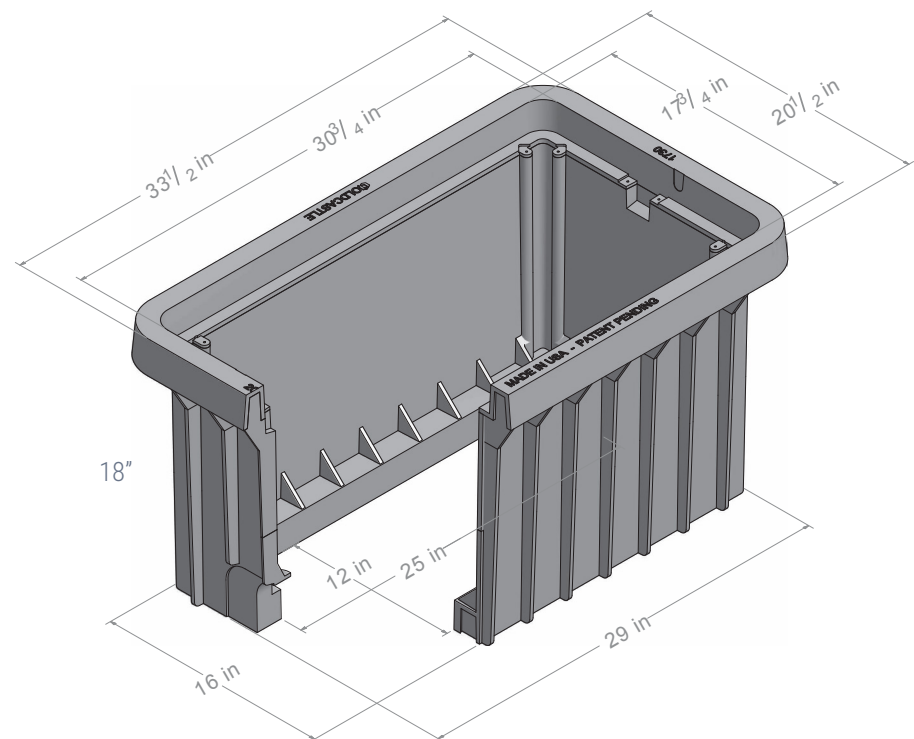
12" BODY

Material: HDPE
Model: 17" x 30"
Weight: 25 lbs
Wall Type: Straight
Mouseholes: 0-4
Performance: ANSI/SCTE-77 Tier 8, WUC 3.6,
ASTM C857 A-8, Exceeds 20,000
lb minimum load failure



18" BODY

Material: HDPE
Model: 17" x 30"
Weight: 33 lbs
Wall Type: Straight
Mouseholes: 0-4
Performance: ANSI/SCTE-77 Tier 8, WUC 3.6,
ASTM C857 A-8, Exceeds 20,000
lb minimum load failure



LOAD RATING / NOTES



MEDIUM DUTY
ANSI/SCTE TIER 15

For use in non-vehicular traffic situations only.
Weights and dimensions may vary slightly.
Actual load rating is determined by the box
and cover combination.

Cover comes standard with permanent
markings for manufacturer, load rating, model
size and manufacturing location.

1730 BCF

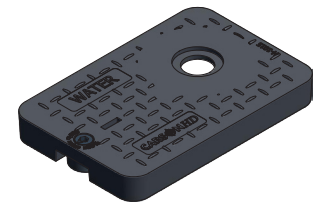
CARSON® Heavywall

COVER OPTIONS

- Heavy Duty Plastic, Flush Solid
- Heavy Duty Plastic, Flush with Plastic Reader Door
- Heavy Duty Plastic, Flush with Cast Iron Reader Door
- Heavy Duty Plastic, Flush with AMR Recess
- Heavy Duty Plastic, Flush with AMR Bracket
- Polymer, Flush Solid
- Polymer, Flush with Cast Iron Reader Door
- Composite, Flush Solid
- Ductile Iron, Flush Solid
- Ductile Iron, with Max View Reader Door



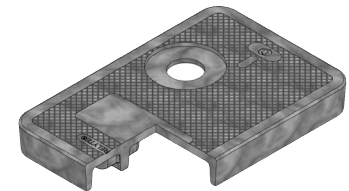
HD Plastic
Flush Solid



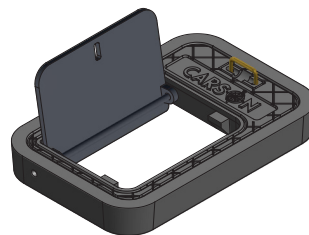
HD Plastic
AMR Recess



Polymer
Flush Solid



Composite
AMR Recess



Ductile Iron
Max View Door

ADD ON OPTIONS

- Touch Read Hole
- AMR Bracket

WARNING: Cancer - www.P65Warnings.ca.gov

All information contained on this sheet is current at the time of publication.
Oldcastle reserves the right to discontinue or update product information without notice.

Revision 11/30/18
© 2018 Oldcastle Infrastructure