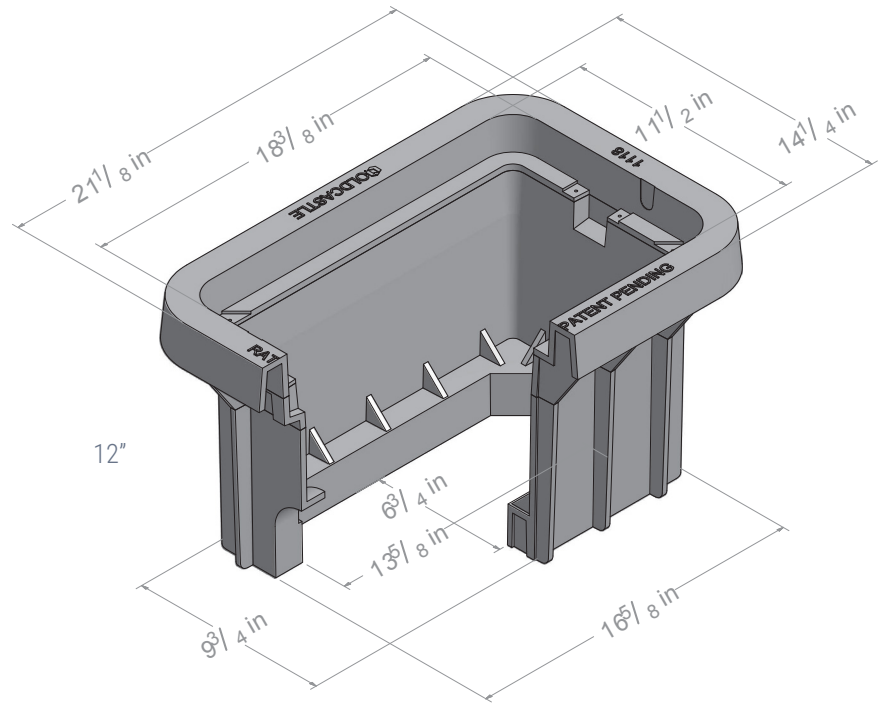


# 1118 BCF

CARSON® Heavywall

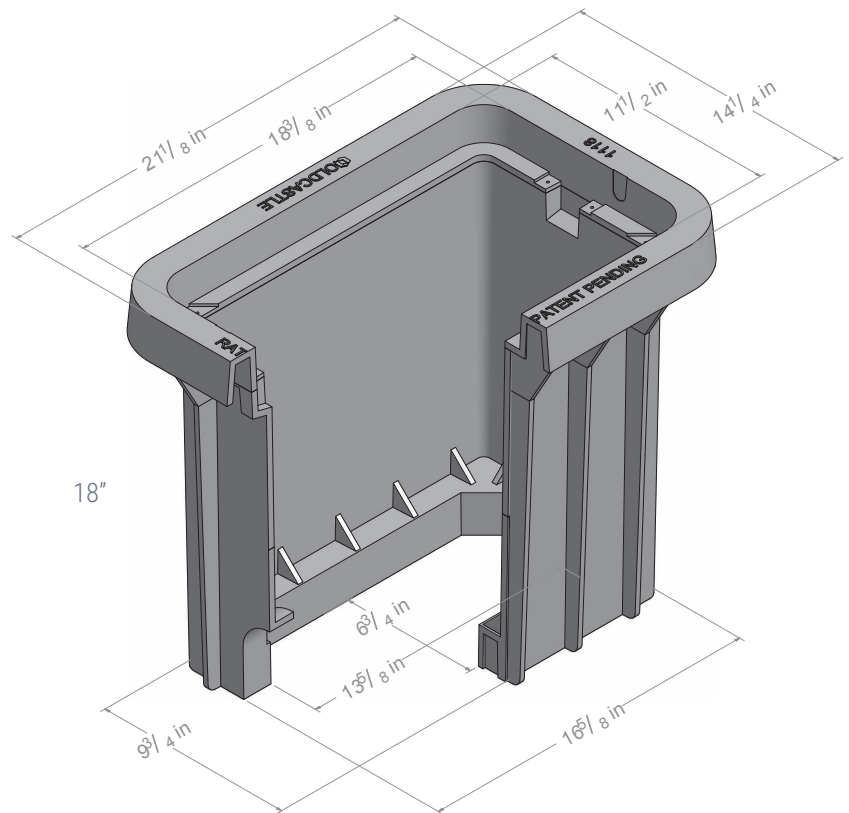
## 12" BODY

Material: HDPE  
Model: 11" x 18"  
Weight: 12 lbs  
Wall Type: Straight  
Mouseholes: 0-4  
Performance: ANSI/SCTE-77 Tier 8, WUC 3.6,  
ASTM C857 A-8, Exceeds 20,000  
lb minimum load failure



## 18" BODY

Material: HDPE  
Model: 11" x 18"  
Weight: 16 lbs  
Wall Type: Straight  
Mouseholes: 0-4  
Performance: ANSI/SCTE-77 Tier 8, WUC 3.6,  
ASTM C857 A-8, Exceeds 20,000  
lb minimum load failure



## LOAD RATING / NOTES



MEDIUM DUTY  
ANSI/SCTE TIER 15

For use in non-vehicular traffic situations only.  
Weights and dimensions may vary slightly.  
Actual load rating is determined by the box  
and cover combination.

Cover comes standard with permanent  
markings for manufacturer, load rating, model  
size and manufacturing location.

# 1118 BCF

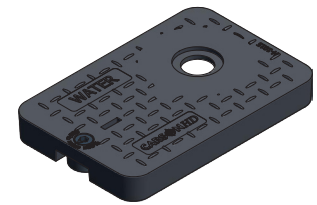
**CARSON**<sup>®</sup> *Heavywall*

## COVER OPTIONS

- Heavy Duty Plastic, Flush Solid
- Heavy Duty Plastic, Flush with Plastic Reader Door
- Heavy Duty Plastic, Flush with Cast Iron Reader Door
- Heavy Duty Plastic, Flush with AMR Recess
- Heavy Duty Plastic, Flush with AMR Bracket
- Polymer, Flush Solid
- Polymer, Flush with Cast Iron Reader Door
- Composite, Flush Solid
- Ductile Iron, Flush Solid
- Ductile Iron, with Max View Reader Door



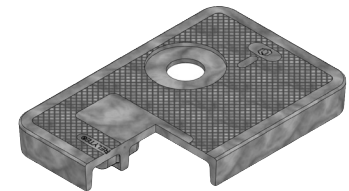
HD Plastic  
Flush Solid



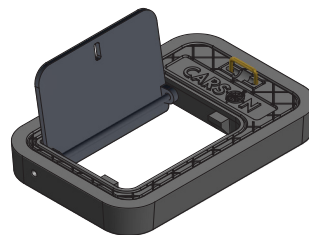
HD Plastic  
AMR Recess



Polymer  
Flush Solid



Composite  
AMR Recess



Ductile Iron  
Max View Door

## ADD ON OPTIONS

- Touch Read Hole
- AMR Bracket

**WARNING:** Cancer - [www.P65Warnings.ca.gov](http://www.P65Warnings.ca.gov)

All information contained on this sheet is current at the time of publication.  
Oldcastle reserves the right to discontinue or update product information without notice.

Revision 11/30/18  
© 2018 Oldcastle Infrastructure