

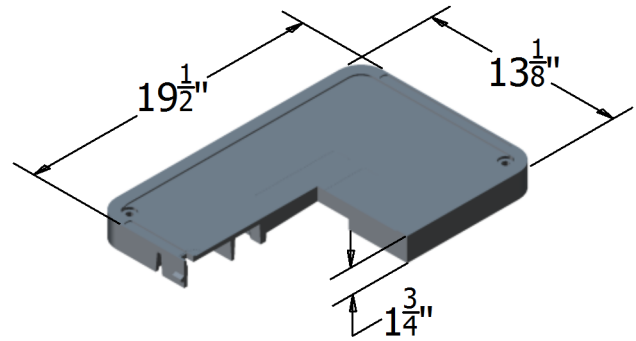
# 1017

**CARSON**<sup>®</sup> *Spec Grade*

## COVER

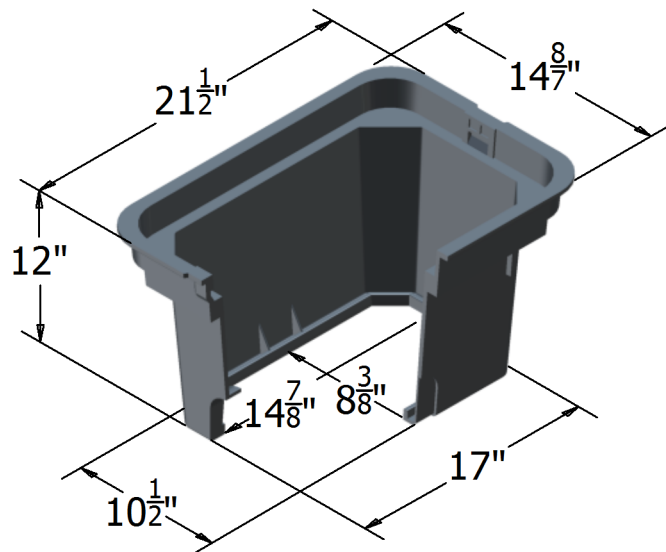
Style:	Flush
Material:	HDPE
Model:	10" x 17"
Weight:	4 lbs
Std. Fasteners:	3/8" Hex Bolt
Options:	Logos and Special Markings
Surface:	Skid Resistant & Marked
Performance:	Pedestrian, ASTM C857, WUC 3.6

Cover comes standard with permanent markings for manufacturer and model size.



## BODY

Material:	HDPE
Model:	10" x 17"
Weight:	12" Depth: 7 lbs
Wall Type:	Tapered
Mouseholes:	2
Performance:	Pedestrian, ASTM C857, WUC 3.6

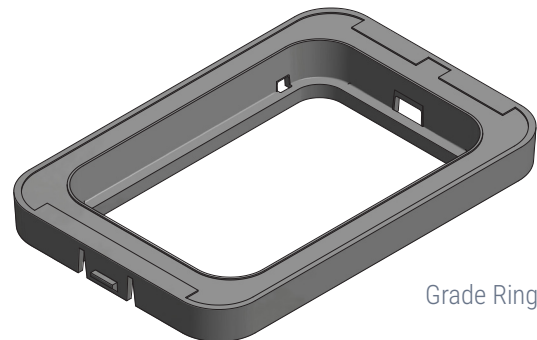


## LOAD RATING / NOTES



LIGHT DUTY  
PEDESTRIAN / GREENBELT

For use in non-vehicular traffic situations only. Weights and dimensions may vary slightly. Actual load rating is determined by the box and cover combination.



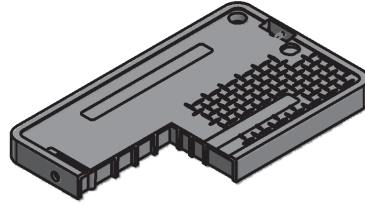
Grade Ring

# 1017

**CARSON**<sup>®</sup> *Spec Grade*

## COVER OPTIONS

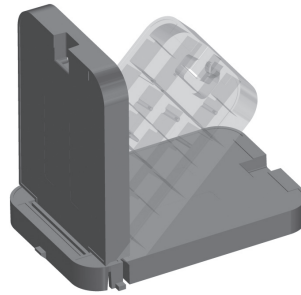
- HDPE, Flush Solid
- HDPE, Flush with Plastic Reader Door
- HDPE, Flush with Cast Iron Reader Door
- HDPE, Flush Hinged Cover



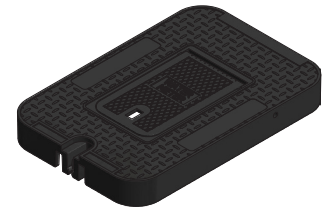
Flush Solid

## COLOR OPTIONS

- Cover: Black, Green, Gray, Tan, Purple
- Body: Black, Green, Gray, Tan, Purple



Hinged Cover  
(requires factory installed ring)



Reader Door Detail

## ADD ON OPTIONS

- Touch Read Hole

**⚠ WARNING:** Cancer - [www.P65Warnings.ca.gov](http://www.P65Warnings.ca.gov)

All information contained on this sheet is current at the time of publication.  
Oldcastle reserves the right to discontinue or update product information without notice.

Revision 11/30/18  
© 2018 Oldcastle Infrastructure