

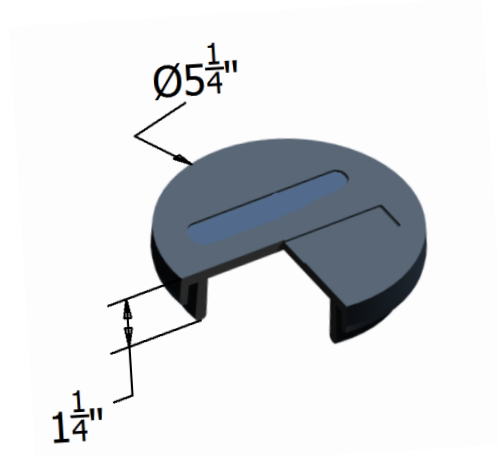
# 510

**CARSON**® ResCom

## COVER

Style:	T-Cover
Material:	HDPE
Model:	5" Dia.
Weight:	< 1 lbs
Std. Fasteners:	Snap-On
Options:	Logos and Special Markings
Surface:	Skid Resistant & Marked
Performance:	Pedestrian, ASTM C857, WUC 3.6

Cover comes standard with permanent markings for manufacturer and model size.



## BODY

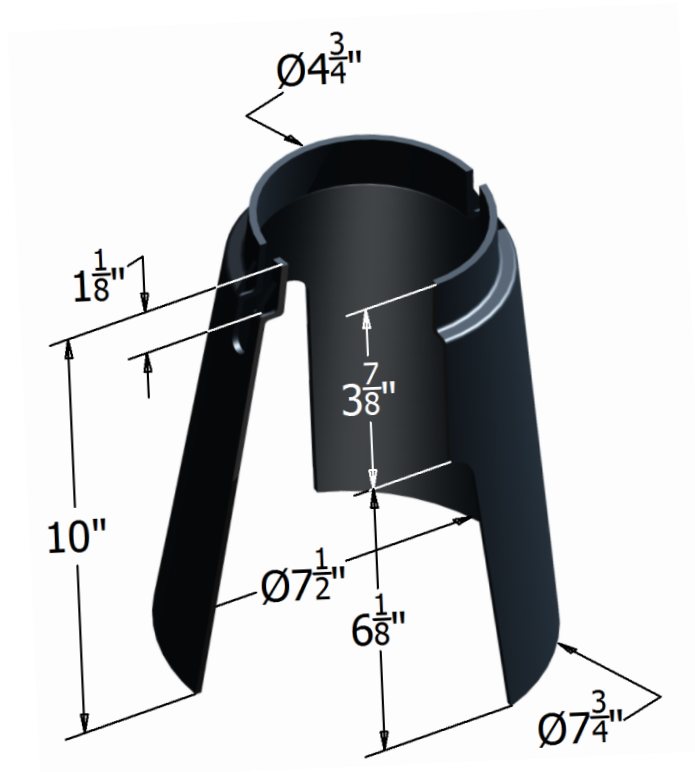
Material:	HDPE
Model:	7-1/2" Dia.
Weight:	1 lbs
Wall Type:	Flared
Mouseholes:	2
Performance:	Pedestrian, ASTM C857, WUC 3.6

## LOAD RATING / NOTES



LIGHT DUTY  
PEDESTRIAN / GREENBELT

For use in non-vehicular traffic situations only. Weights and dimensions may vary slightly. Actual load rating is determined by the box and cover combination.



# 510

**CARSON**<sup>®</sup> ResCom

## COVER OPTIONS

HDPE, T-Cover Solid



## COLOR OPTIONS

Cover: Black, Tan

Body: Black, Tan

## FASTENER OPTIONS

Snap-On

**⚠ WARNING:** Cancer - [www.P65Warnings.ca.gov](http://www.P65Warnings.ca.gov)

All information contained on this sheet is current at the time of publication.  
Oldcastle reserves the right to discontinue or update product information without notice.

Revision 11/30/18  
© 2018 Oldcastle Infrastructure