

# 1132

## OLDCASTLE FRP

### COVER

Style:	Flush
Material:	Polymer Concrete
Model:	11" x 32"
Options:	Logos and Special Markings
Surface:	Slip Resistant
Performance:	ANSI/SCTE-77 Tier 15

### BODY

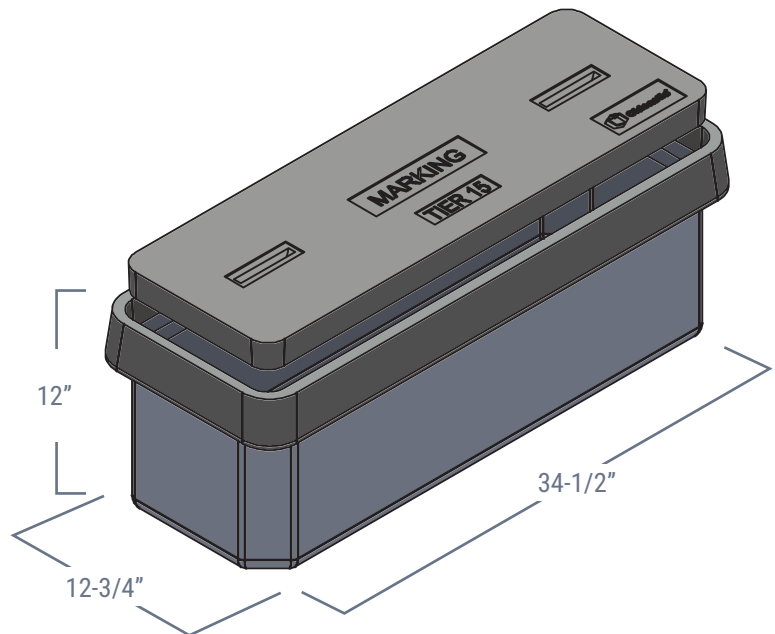
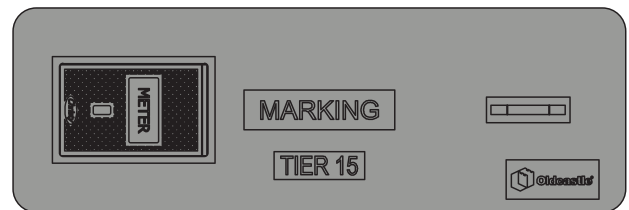
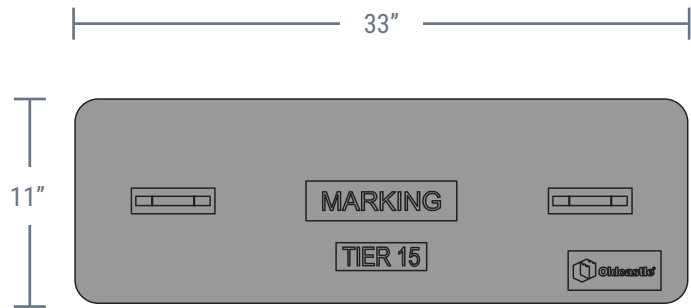
Material:	Fiber Reinforced Polymer w/ Polymer Concrete Ring
Model:	11" x 32"
Depths:	12"
Wall Type:	Straight
Performance:	ANSI/SCTE-77 Tier 15

### LOAD RATING / NOTES



MEDIUM DUTY  
ANSI/SCTE TIER 15

For use in non-vehicular traffic situations only.  
Weights and dimensions may vary slightly.  
Actual load rating is determined by the box  
and cover combination.



# 1132

## OLDCASTLE FRP

### COVER OPTIONS

- Polymer, Flush Solid
- Polymer, Flush with Reader Door



### FASTENER OPTIONS

- Hex Head Bolt (A)
- Penta Head Bolt (B)
- Penta Head Coil Thread Bolt (B)
- Oldcastle Vandal Resistant Bolt (C)
- Captive Bolt Retainer



Standard Thread



A



B



C



Coil Thread



Bolt Retainer  
(for standard thread)

### ADD ON OPTIONS

- EMS Marker
- Mouseholes/Knockouts
- Rack Mount
- Cable Racks/Cable Arms
- Unistrut
- Pulling Eye - 1,000 lb and 3,000 lb
- Ground Buss
- Dividers
- Racking Provision
- Lid Gaskets\*



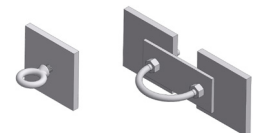
Rack Mount



Cable Rack  
Cable Arm



Unistrut



Pulling Eye



EMS Marker



Ground Buss

\* Lid Gaskets inhibit water flow into the box, they do not make enclosure fully waterproof.

**WARNING:** Cancer - [www.P65Warnings.ca.gov](http://www.P65Warnings.ca.gov)

All information contained on this sheet is current at the time of publication.  
Oldcastle reserves the right to discontinue or update product information without notice.

Revision 11/16/18  
© 2018 Oldcastle Infrastructure