

# 2400

## OLDCASTLE FRP

### COVER

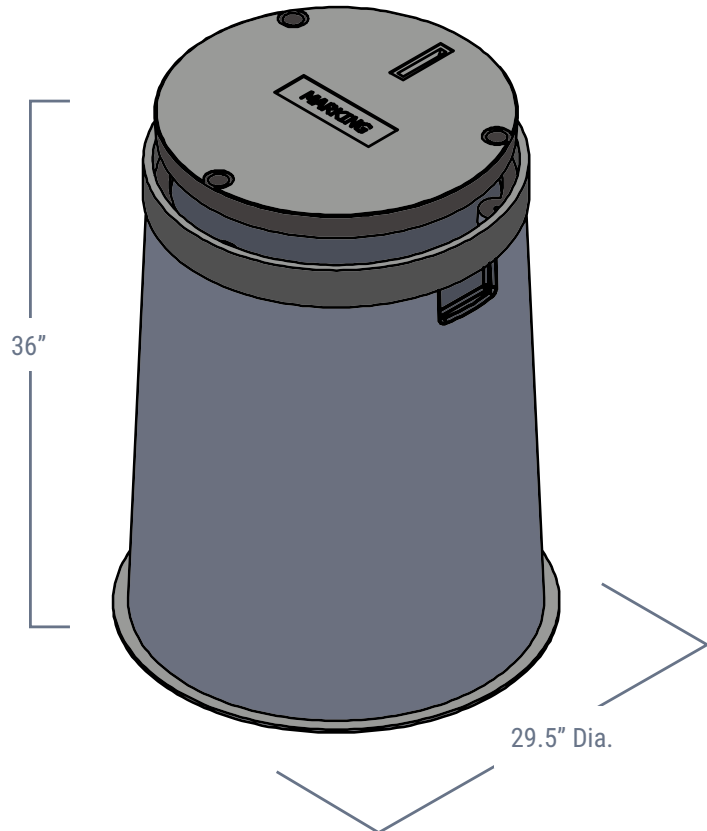
Style:	Flush
Material:	Polymer Concrete
Model:	24" Dia.
Std. Fasteners:	3/8-16 Stainless Steel Hex Head Bolt, Washer and Floating Nut
Options:	Logos and Special Markings
Surface:	Slip Resistant
Performance:	ANSI/SCTE-77 Tier 15

24" Dia.



### BODY

Material:	Fiber Reinforced Polymer w/ Polymer Concrete Ring
Model:	24" Dia.
Depths:	36"
Wall Type:	Flared
Performance:	ANSI/SCTE-77 Tier 15



### LOAD RATING / NOTES



MEDIUM DUTY  
ANSI/SCTE TIER 15

For use in non-vehicular traffic situations only.  
Weights and dimensions may vary slightly.  
Actual load rating is determined by the box  
and cover combination.

# 2400

## OLDCASTLE FRP

### COVER OPTIONS

Polymer, Flush Solid



### FASTENER OPTIONS

- Hex Head Bolt (A)
- Penta Head Bolt (B)
- Penta Head Coil Thread Bolt (B)
- Oldcastle Vandal Resistant Bolt (C)
- Captive Bolt Retainer



Standard Thread



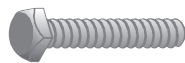
A



B



C



Coil Thread



Bolt Retainer  
(for standard thread)

### ADD ON OPTIONS

- EMS Marker
- Mouseholes/Knockouts
- Rack Mount
- Cable Racks/Cable Arms
- Unistrut
- Racking Provision



Rack Mount



Cable Rack  
Cable Arm



Unistrut



EMS Marker

**WARNING:** Cancer - [www.P65Warnings.ca.gov](http://www.P65Warnings.ca.gov)

All information contained on this sheet is current at the time of publication.  
Oldcastle reserves the right to discontinue or update product information without notice.

Revision 11/16/18  
© 2018 Oldcastle Infrastructure