

# 4896

## OLDCASTLE FRP

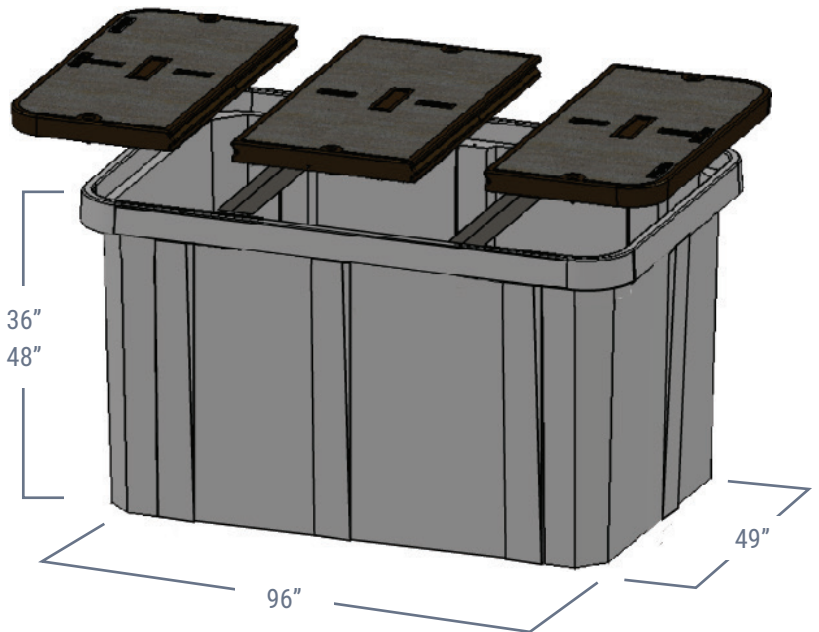
### COVER

Style:	Flush (3 Piece)
Material:	Polymer Concrete
Model:	48" x 96"
Std. Fasteners:	1/2-13 Stainless Steel Hex Head Bolt, Washer and Floating Nut
Options:	Logos and Special Markings
Surface:	Slip Resistant
Performance:	ANSI/SCTE-77 Tier 15



### BODY

Material:	Fiber Reinforced Polymer w/ Polymer Concrete Ring
Model:	48" x 96"
Depths:	36", 48"
Wall Type:	Straight
Performance:	ANSI/SCTE-77 Tier 15



### LOAD RATING / NOTES



MEDIUM DUTY  
ANSI/SCTE TIER 15

For use in non-vehicular traffic situations only. Weights and dimensions may vary slightly. Actual load rating is determined by the box and cover combination.

# 4896

## OLDCASTLE FRP

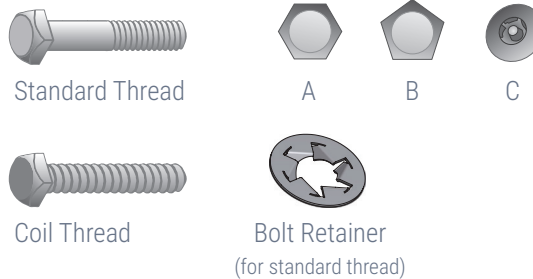
### COVER OPTIONS

Polymer, Flush Solid



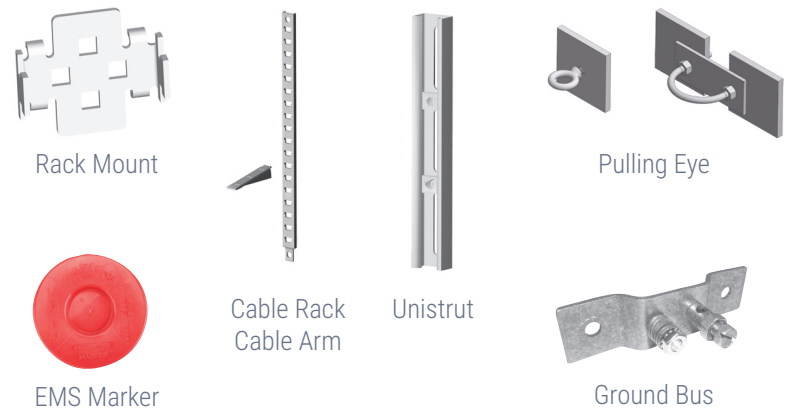
### FASTENER OPTIONS

- Hex Head Bolt (A)
- Penta Head Bolt (B)
- Penta Head Coil Thread Bolt (B)
- Oldcastle Vandal Resistant Bolt (C)
- Captive Bolt Retainer



### ADD ON OPTIONS

- EMS Marker
- Mouseholes/Knockouts
- Rack Mount
- Cable Racks/Cable Arms
- Unistrut
- Pulling Eye - 1,000 lb and 3,000 lb
- Ground Buss
- Dividers
- Racking Provision
- Lid Gaskets\*



\* Lid Gaskets inhibit water flow into the box, they do not make enclosure fully waterproof.

**WARNING:** Cancer - [www.P65Warnings.ca.gov](http://www.P65Warnings.ca.gov)

All information contained on this sheet is current at the time of publication.  
Oldcastle reserves the right to discontinue or update product information without notice.

Revision 11/16/18  
© 2018 Oldcastle Infrastructure