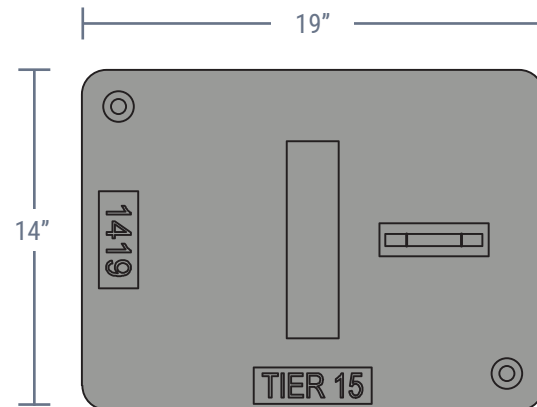


# 1419

## OLDCASTLE FRP

### COVER

|                 |   |
|-----------------|---|
| Style:          | Flush   |
| Material:       | Polymer Concrete  |
| Model:          | 14" x 19"   |
| Std. Fasteners: | 1/2-13 Stainless Steel Hex Head Bolt, Washer and Floating Nut |
| Options:        | Logos and Special Markings                                    |
| Surface:        | Slip Resistant  |
| Performance:    | ANSI/SCTE-77 Tier 15  |



### BODY

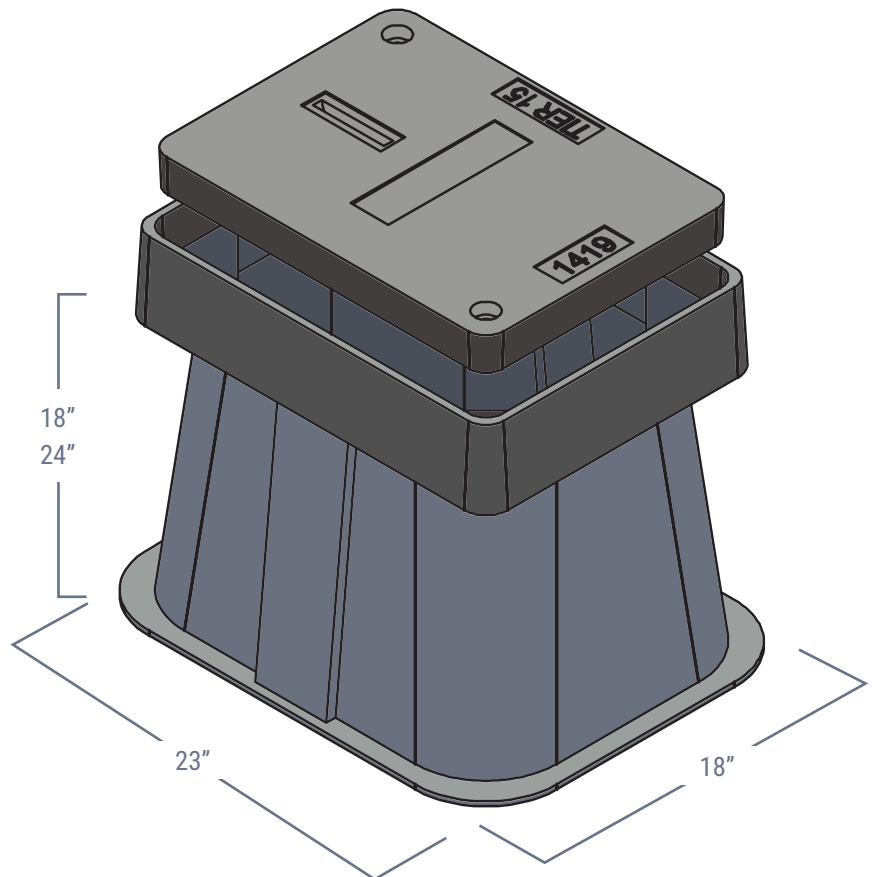
|              |   |
|--------------|---|
| Material:    | Fiber Reinforced Polymer w/ Polymer Concrete Ring |
| Model:       | 14" x 19"   |
| Depths:      | 18", 24"  |
| Wall Type:   | Straight  |
| Performance: | ANSI/SCTE-77 Tier 15                              |

### LOAD RATING / NOTES



MEDIUM DUTY  
ANSI/SCTE TIER 15

For use in non-vehicular traffic situations only. Weights and dimensions may vary slightly. Actual load rating is determined by the box and cover combination.

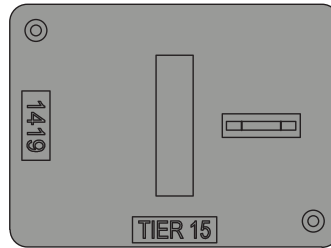


# 1419

## OLDCASTLE FRP

### COVER OPTIONS

Polymer, Flush Solid



### FASTENER OPTIONS

- Hex Head Bolt (A)
- Penta Head Bolt (B)
- Penta Head Coil Thread Bolt (B)
- Oldcastle Vandal Resistant Bolt (C)
- Captive Bolt Retainer



Standard Thread



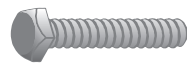
A



B



C



Coil Thread



Bolt Retainer  
(for standard thread)

### ADD ON OPTIONS

- EMS Marker
- Mouseholes/Knockouts
- Rack Mount
- Cable Racks/Cable Arms
- Unistrut
- Pulling Eye - 1,000 lb and 3,000 lb
- Ground Buss
- Dividers
- Racking Provision
- Lid Gaskets\*



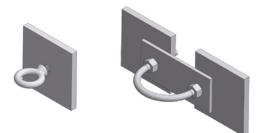
Rack Mount



Cable Rack  
Cable Arm



Unistrut



Pulling Eye



EMS Marker



Ground Buss

\* Lid Gaskets inhibit water flow into the box, they do not make enclosure fully waterproof.

**WARNING:** Cancer - [www.P65Warnings.ca.gov](http://www.P65Warnings.ca.gov)

All information contained on this sheet is current at the time of publication.  
Oldcastle reserves the right to discontinue or update product information without notice.

Revision 11/16/18  
© 2018 Oldcastle Infrastructure