

4848

OLDCASTLE POLYMER

(formerly H-Series)

COVER

Style:	Flush 2-Piece
Material:	Polymer Concrete
Model:	48" x 48"
Weight:	Tier 15: 205 lbs. (per half) Tier 22: 320 lbs. (per half)
Std. Fasteners:	1/2-13 Stainless Steel Hex Head Bolt, Washer and Floating Nut
Options:	Logos and Special Markings
Surface:	Slip Resistant
Performance:	ANSI/SCTE-77, Tier 15 or Tier 22*

Cover comes standard with permanent markings for manufacturer, load rating, model size and manufacturing location.

Tier 22 cover comes with cross brace.

BODY

Material:	Polymer Concrete
Model:	48" x 48"
Weight:	36" Depth: 156 lbs. 48" Depth: 219 lbs.
Wall Type:	Straight
Performance:	ANSI/SCTE-77 Tier 22

LOAD RATING / NOTES



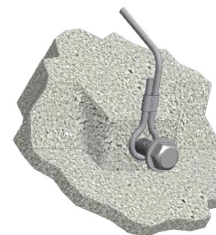
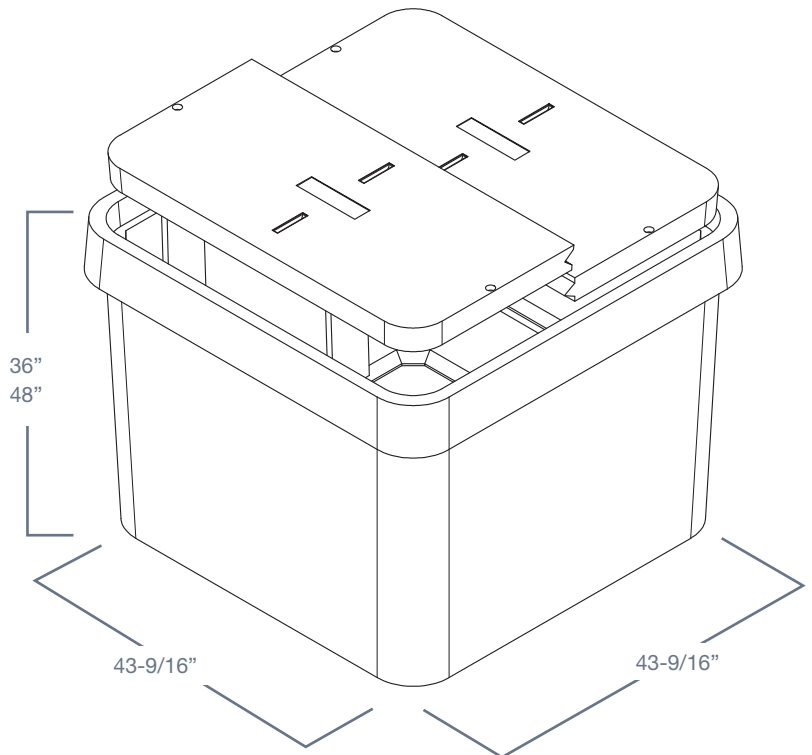
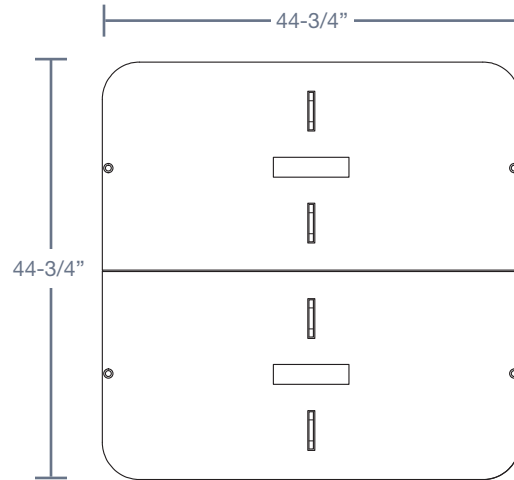
MEDIUM DUTY
ANSI/SCTE TIER 15



HEAVY DUTY
ANSI/SCTE TIER 22

For use in non-vehicular traffic situations only.
Weights and dimensions may vary slightly.
Actual load rating is determined by the box and cover combination.

* Based upon lid and body combination, this unit can be Tier 15 or Tier 22. T22 rating when paired with T22 polymer concrete lid.



Lifting Strap
Detail

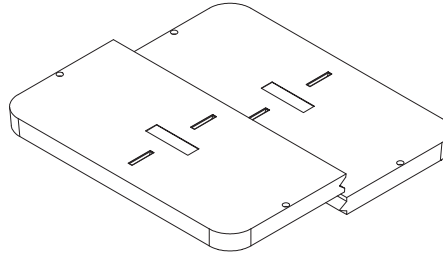
4848

OLDCASTLE POLYMER

(formerly H-Series)

COVER OPTIONS

Oldcastle Polymer, Flush 2-Piece



FASTENER OPTIONS

- Hex Head Bolt (A)
- Penta Head Bolt (B)
- Penta Head Coil Thread Bolt (B)
- Oldcastle Vandal Resistant Bolt (C)
- Captive Bolt Retainer



Standard Thread



A



B



C



Coil Thread



Bolt Retainer
(for standard thread)

ADD ON OPTIONS

- EMS Marker
- Mouseholes/Knockouts
- Rack Mount
- Cable Racks/Cable Arms
- Unistrut
- Pulling Eye - 1,000 lb and 3,000 lb
- Ground Buss
- Dividers
- Racking Provision
- Lid Gaskets*
- Solid Bottom
- Custom Marking Plate (Polymer)



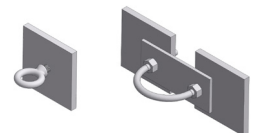
Rack Mount



Cable Rack
Cable Arm



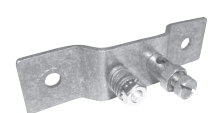
Unistrut



Pulling Eye



EMS Marker



Ground Buss

* Lid Gaskets inhibit water flow into the box, they do not make enclosure fully waterproof.

WARNING: Cancer - www.P65Warnings.ca.gov

All information contained on this sheet is current at the time of publication.
Oldcastle reserves the right to discontinue or update product information without notice.

Revision 11/09/18
© 2018 Oldcastle Infrastructure