

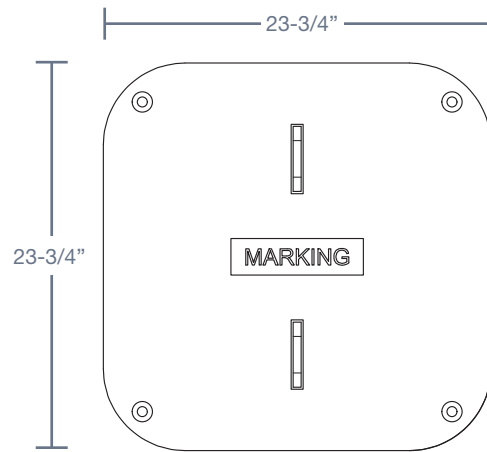
2424

OLDCASTLE POLYMER

(formerly H-Series)

COVER

Style:	Flush Solid
Material:	Polymer Concrete
Model:	24" x 24"
Weight:	Tier 15: 75 lbs. Tier 22: 99 lbs.
Std. Fasteners:	1/2-13 Stainless Steel Hex Head Bolt, Washer and Floating Nut
Options:	Logos and Special Markings
Surface:	Slip Resistant
Performance:	ANSI/SCTE-77, Tier 15 or Tier 22*



Cover comes standard with permanent markings for manufacturer, load rating, model size and manufacturing location.

BODY

Material:	Polymer Concrete
Model:	24" x 24"
Weight:	24" Depth: 156 lbs. 36" Depth: 219 lbs.
Wall Type:	Straight
Performance:	ANSI/SCTE-77 Tier 22

LOAD RATING / NOTES

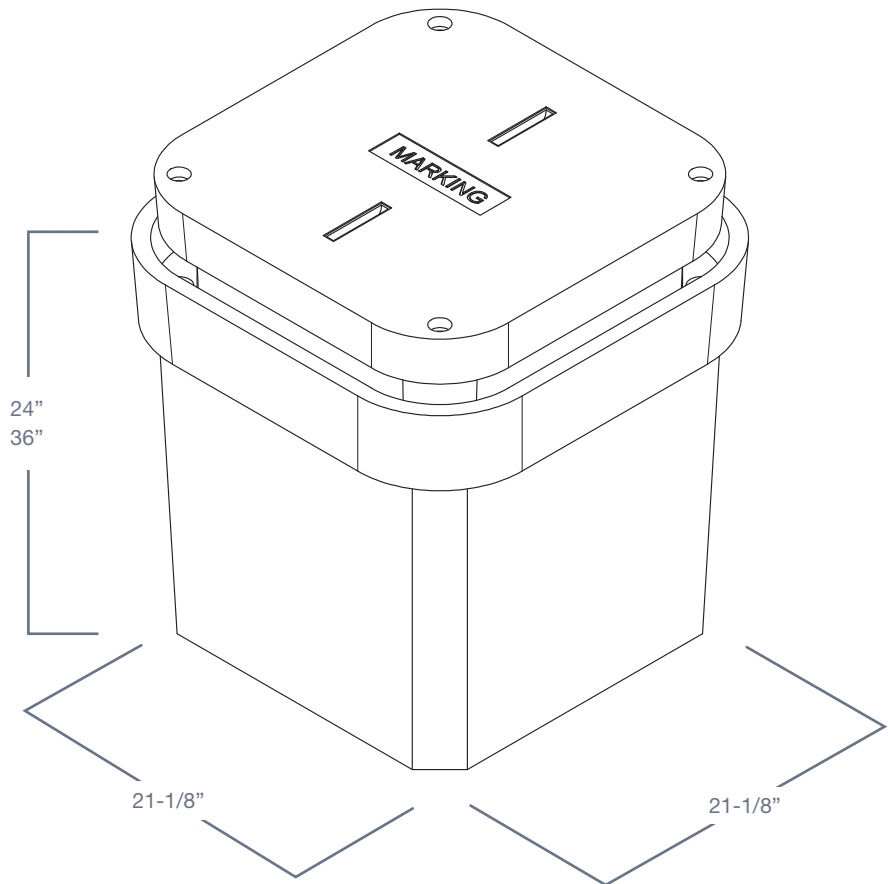


MEDIUM DUTY
ANSI/SCTE TIER 15



HEAVY DUTY
ANSI/SCTE TIER 22

For use in non-vehicular traffic situations only. Weights and dimensions may vary slightly. Actual load rating is determined by the box and cover combination.



* Based upon lid and body combination, this unit can be Tier 15 or Tier 22. T22 rating when paired with T22 polymer concrete lid.

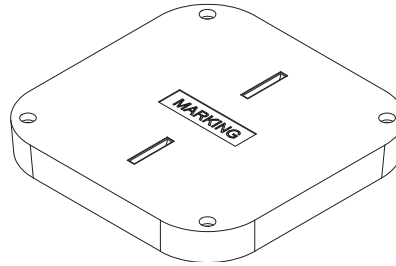
2424

OLDCASTLE POLYMER

(formerly H-Series)

COVER OPTIONS

Oldcastle Polymer, Flush Solid



FASTENER OPTIONS

- Hex Head Bolt (A)
- Penta Head Bolt (B)
- Penta Head Coil Thread Bolt (B)
- Oldcastle Vandal Resistant Bolt (C)
- Captive Bolt Retainer



Standard Thread



A



B



C



Coil Thread



Bolt Retainer
(for standard thread)

ADD ON OPTIONS

- EMS Marker
- Mouseholes/Knockouts
- Rack Mount
- Cable Racks/Cable Arms
- Unistrut
- Pulling Eye - 1,000 lb and 3,000 lb
- Ground Buss
- Dividers
- Racking Provision
- Lid Gaskets*
- Solid Bottom
- Custom Marking Plate (Polymer)



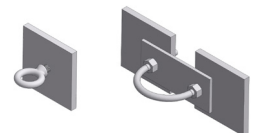
Rack Mount



Cable Rack
Cable Arm



Unistrut



Pulling Eye



EMS Marker



Ground Buss

* Lid Gaskets inhibit water flow into the box, they do not make enclosure fully waterproof.

WARNING: Cancer - www.P65Warnings.ca.gov

All information contained on this sheet is current at the time of publication.
Oldcastle reserves the right to discontinue or update product information without notice.

Revision 11/09/18
© 2018 Oldcastle Infrastructure