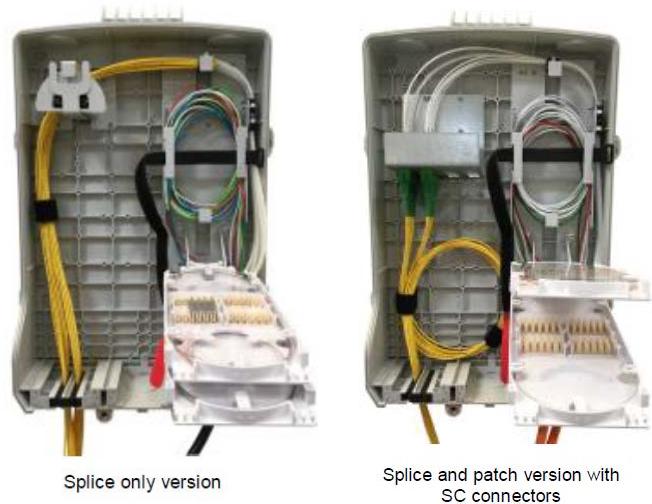


Building Entrance Fiber Boxes: BUDI with FOSC® Trays

CommScope's BUDI portfolio of wall-mounted, indoor and outdoor fiber boxes is a modular and configurable platform for building entrance deployments. Available in a large variety of models to meet the needs of wide range of MDU applications, it offers rugged environmental protection, UL listed, UV resistant, and IP54 rated and is designed for easy installation and accessibility.

The CommScope BUDI with FOSC® trays family is ideal for small to medium sized buildings. It provides a flexible fiber management system for transitioning outside plant cable to indoor cable via splicing or with connectorized cable assemblies. It incorporates proven fiber routing procedures, cable termination accessories and splice trays resulting in consistent, high-quality fiber management. Available add-on passive optical modules support the new G/EPON architecture. The BUDI with FOSC® trays offers the flexibility to address the needs of today's and tomorrow's fiber networks while maintaining commonality of components and operational practices.




Features and benefits

- Indoor or Indoor/outdoor (IP54) rugged termination point
- UL listed and UV resistant enclosure
- Wide range of cables size supported
 - Drop cables up to 0.19-inch diameter, round or flat
 - Feeder cables up to 1.02-inch diameter
 - Protective cable skirts available
- Splice only and splice and patch versions
 - Fiber splicing using FOSC-A splice trays with optical splitter and C/DWDM capability
 - SC or LC connectors for patching

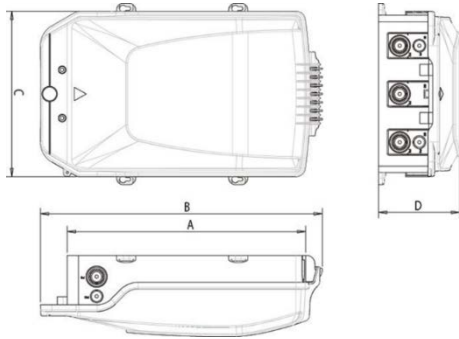
[CLICK for BUDI VIDEO](#)

Product	Description	MID
BUDI-FS-SPNNNN-US00	Includes 2 FOSC trays for 12/24 splice only	760237240
BUDI-FS-TS212-US00	Includes 2 FOSC trays, 12 adapters/pigtail SC/APC installed	760237397
BUDI-FS-TS224-US00	Includes 2 FOSC trays, 24 adapters/pigtail SC/APC installed	760237241

Ordering information & Accessories

Item	Part number	MID	Description
	BUDI-S-PTS-US00	760235991	Wrap around pigtail seal for 48 pigtails with a diameter up to 5 mm (0.19")
	BUDI-S-SEAL-BLIND-PG29	760237400	Cable seal for single cable gland for a cable from 15-26 mm (0.59-1.02")
	BUDI-S-SEAL-2x20	CS1390-000	Wrap around cable seal for 2 cables up to 20mm (0.79") diameter including: cable fixation bracket and seal foam tape
	BUDI-S-4X15-US00	760236930	Wrap around cable seal for 4 cables up to 15mm (0.59") diameter including: cable fixation bracket and seal foam tape
	F-BENDCONTROL	760237456	Bend control system for splice applications
	F-BASKET-TOWER	760237455	Storage basket and tower for FOSC-A trays
	FOSC-ACC-A-tray-12- kit	497817-000	Includes tray, clear cover with (2) SM-6 splice modules, tie-wraps and instructions
	BUDI-S-SKRT-12	760238357	Protective Cable Skirt installed under the box to provide physical protection for the cable entering and exiting the box - 12" length
	BUDI-S-SKRT-24	760238358	Protective Cable Skirt installed under the box to provide physical protection for the cable entering and exiting the box - 24" length

Specifications



Dimensions	BUDI-FS
A: Height (box)	425 mm (16.73")
B: Height (cover)	500 mm (19.69")
C: Width	295 mm (11.61")
D: Depth	145 mm (5.71")

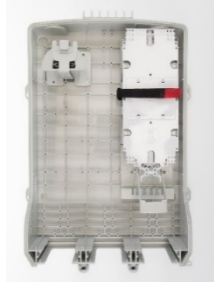
**BUDI-FS-TS224-US00
with 24-inch Skirt**



**BUDI-FS-TS224-US00
with 12-inch Skirt**



BUDI-FS-SPNNNN-US00



Installation

[Installation Video BUDI SPLICE/SPLICE](#)

[Installation Video BUDI SPLICE/PACTCH](#)

For technical assistance, customer service, or to report any missing/damaged parts, visit us at:

<http://www.commscope.com/SupportCenter>

commscope.com

Visit our website or contact your local CommScope representative for more information.

© 2018 CommScope, Inc. All rights reserved.

Unless otherwise noted, all trademarks identified by ® or ™ are registered trademarks, respectively, of CommScope, Inc. This document is for planning purposes only and is not intended to modify or supplement any specifications or warranties relating to CommScope products or services. CommScope is committed to the highest standards of business integrity and environmental sustainability with a number of CommScope's facilities across the globe certified in accordance with international standards, including ISO 9001, TL 9000, and ISO 14001.

Further information regarding CommScope's commitment can be found at www.commscope.com/About-Us/Corporate-Responsibility-and-Sustainability.

Document number: PA-113173-EN