



Splitter FST

Flexible Service Terminal Integrated with Splitter

Unique terminal solution for fiber-to-premise (FTTP) architectures. Such splitter FST incorporates high performance PLC splitter chip inside fanout unit with both input and outputs pre-terminated with hardened connectors which are designed to withstand the harsh outside plant environment.

The splitter FST features miniaturized footprint and especially suitable for seamless integration into existing infrastructure with limited installation space.

Features and Benefits

- Available in 1x4 splitter or 1x8 splitter configuration
- Compliant with GR-1209 and GR-1221
- Single-fiber female full-sized hardened connector for input/outputs
- Tested to meet GR-3120 standards for harsh environmental
- Fully-sealed assembly
- Output branches are grouped in a staggered way, which results in distributed space-consumption and minimizes kinking
- Transparent dust caps for easy port identification using a visible light source
- “Plug and Play” solutions for durable and reliable service
- Cost effective solutions for lower overall installed costs throughout the FTTX network
- Flexible structure plus very small branching unit, allowing FST to be installed and operate in constrained space (like congested pit)

Splitter FST

Flexible Service Terminal Integrated with Splitter

Specification

Input & Output Connectors

| | |
|------------------------|----------------------------------------|
| Connector Type: | Full-sized hardened connector,* female |
| Standards: | Comply to GR-3120 |
| Insertion Loss: | Max. 0.40 dB, Mean 0.15 dB |
| Return Loss: | Min. 65 dB |

1x4 Splitter FST (incl. hardened connectors)

| | |
|------------------------|-------------|
| Wavelength: | 1260~1650nm |
| Insertion Loss: | Max. 8.0 dB |
| Uniformity: | 1.0 dB |
| Return Loss: | Min. 55 dB |

1x8 Splitter FST (incl. hardened connectors)

| | |
|------------------------|--------------|
| Wavelength: | 1260~1650nm |
| Insertion Loss: | Max. 11.3 dB |
| Uniformity: | 1.3 dB |
| Return Loss: | Min. 55 dB |

Optical Fiber

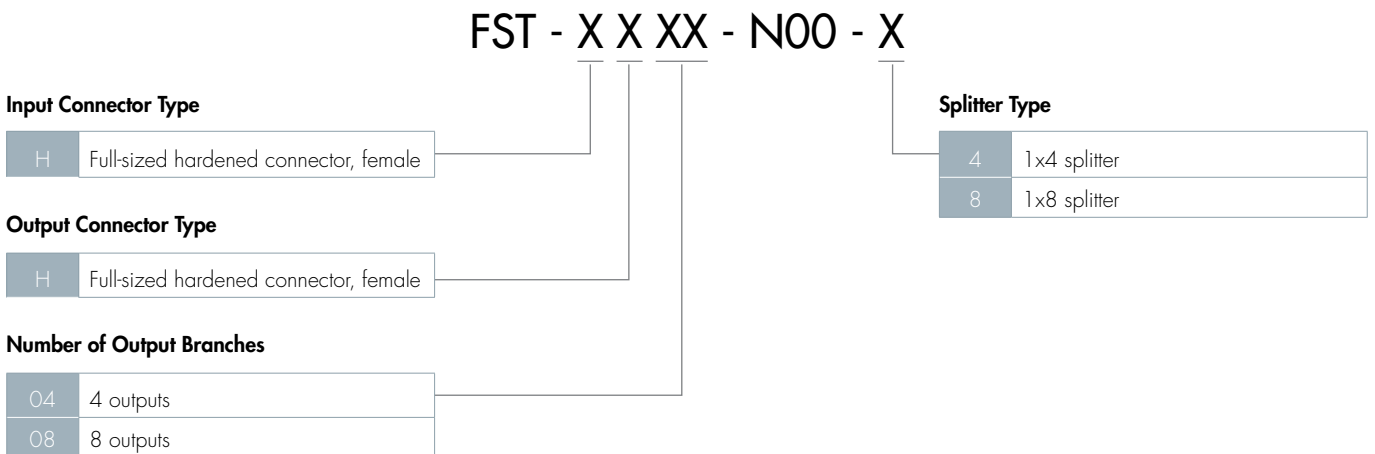
| | |
|--------------------|----------------------|
| Fibre Type: | ITU-T G.657 Class A2 |
|--------------------|----------------------|

Environment

| | |
|----------------------------------|-----------------------------------------------|
| Operating Temperature: | -40°C to 70°C |
| Storage Temperature: | -40°C to 70°C |
| Installation Temperature: | -18°C to 40°C |
| Humidity: | 0% to uncontrolled |
| Water Resistance: | 10-foot water head for 7 days without leakage |

* CommScope full-sized hardened connector is compatible with OptiTap™

Ordering Information



www.commscope.com

Visit our website or contact your local CommScope representative for more information.

© 2015 CommScope, Inc. All rights reserved.

All trademarks identified by ® or ™ are registered trademarks or trademarks, respectively, of CommScope, Inc.

This document is for planning purposes only and is not intended to modify or supplement any specifications or warranties relating to CommScope products or services.

PS-322294-AE (01/16) ST [Revised from TC-2241-DS-SPLITTER-FST]